

Model: LXSG-15E1-50E1

## Multi Jet Water Meter

### Feature:

- Multi jet, Dry-dial
- Material body: Brass
- Size: DN15 to DN50mm, (1/2" – 2")
- Available for cold water (50°C), hot water (90°C)
- Accuracy: Class B / Class C / R160



### Main Technical Data:

According to ISO4064 (GB/T778.1-1996) Standard

Size		Class	Qs	Qp	Qt	Qmin	Min reading	Max reading
DN(mm)	Inch		Overload flow	Nominal flow	Transitional flow	Min flow		
		m <sup>3</sup> /h		L/h		m <sup>3</sup>		
15	1/2"	A	3	1.5	150	60	0.0001	99999
		B			120	30		
		C			22.5	15		
20	3/4"	A	5	2.5	250	100	0.0001	99999
		B			200	50		
		C			37.5	25		
25	1"	A	7	3.5	350	140	0.0001	99999
		B			280	70		
32	1 1/4"	A	12	6	600	240	0.0001	99999
		B			480	120		
40	1 1/2"	A	20	10	1000	400	0.001	99999
		B			800	200		
50	2"	A	30	15	1500	600	0.001	99999
		B			1200	300		

### INDICATING ERROR

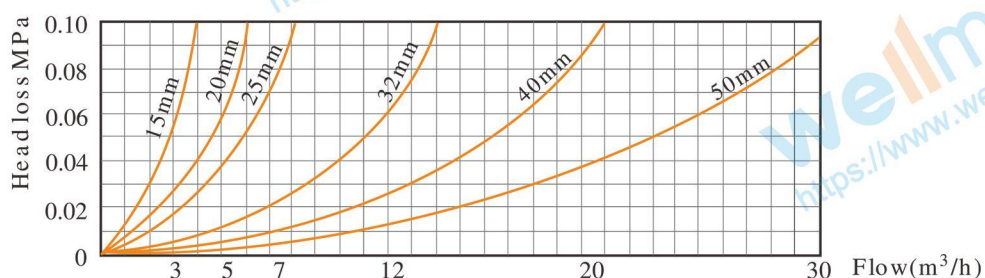
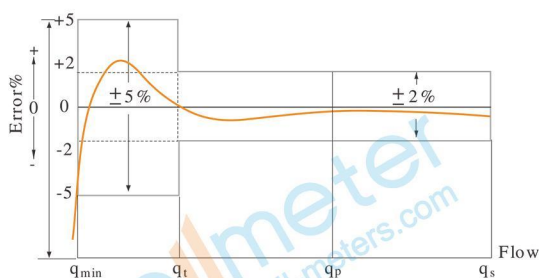
At low zone is ±5% from minimum flow rate (qmin) to transitional flow rate (qt) exclusive boundary

At high zone is ±2% from transitional flow rate (qt) to overload flow rate (qs)

# Model:LXSG-15E1-50E1

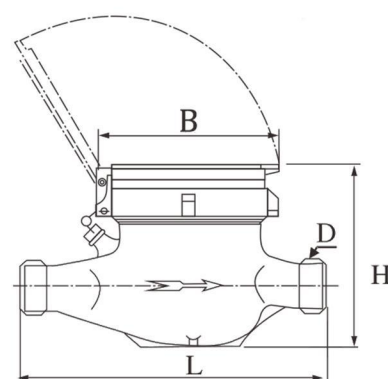
## According to ISO4064 (GB/T778.1-2007) Standard

DN SIZE	Mm Inch	15 1/2"	20 3/4"	25 1"	32 1 1/4"	40 1 1/2"	50 2"
Q4(m <sup>3</sup> /h)		3.125	5	7.875	12.5	20	31.25
Q3(m <sup>3</sup> /h)		2.5	4	6.3	10	16	25
R80	Q2(L/h)	50	80	126	200	320	500
	Q1(L/h)	31.25	50	78.75	125	200	312.5
R100	Q2(L/h)	40	64	100.8	160	256	400
	Q1(L/h)	25	40	63	100	160	250
R125	Q2(L/h)	32	51.2	80.64	128	204.8	320
	Q1(L/h)	20	32	50.4	80	128	200
R160	Q2(L/h)	25	40	63	100	160	250
	Q1(L/h)	15.625	25	39.375	62.5	100	156.25
Min reading(m <sup>3</sup> )		0.0001	0.0001	0.0001	0.0001	0.001	0.001
Max reading(m <sup>3</sup> )		99999	99999	99999	99999	99999	99999
Max pressure(MAP)		16	16	16	16	16	16
Max loss( $\Delta P$ )		63	63	63	63	63	63
Max temperature		T50	T50	T50	T50	T50	T50



## Dimensions and Weight:

Meter size Dia DN (mm)	L Length	B Width	H Height	Connecting Thread D	Weight Kg
15	165	99	108	G 3/4B	1.4
20	190	99	108	G 1 B	1.7
25	225	104	114	G1 1/4B	2.4
32	230	104	117	G1 1/2B	2.7
40	245	128	158	G 2'B	4.5
50	280	128	183	G2 1/2 B	7.2



## WORKING CONDITION:

Water temperature:  $\leq 50^{\circ}\text{C}$  for cold water meter

Water temperature:  $\leq 90^{\circ}\text{C}$  for hot water meter

Working pressure:  $\leq 1.6\text{Mpa}$

**wellmeter**

Ningbo Well Energy Technology Co.,Ltd

<https://www.well-meters.com>

[sales@well-meters.com](mailto:sales@well-meters.com)

+86-574-63702808