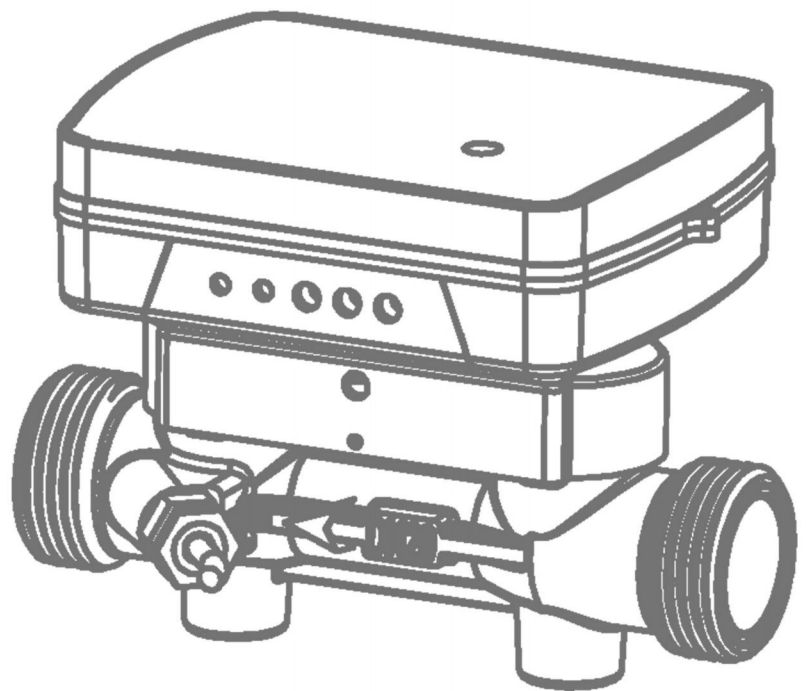




HEAT METER

Catalogue:

- Ultrasonic Heat Meter



Model: ULTA-15-40

Ultrasonic Heat Meter

Feature:

- Size: DN15 to DN40mm, (1/2" – 1 1/2")
- Communication interface choice:
 - (1) M-BUS
 - (2) RS-485 (Modbus)
 - (3) Pulse output
 - (4) LoRa/LoRaWAN 868MHz, 915MHz, Customized Frequency Requirement
 - (5) Water Meter Impulse output, connects Heat Meter, M-BUS/RS-485 output
- Lithium battery life: 10 years
- Archive: 38 Month data historical
- Installation choice: Water supply pipeline / Water return pipeline, Horizontal or Vertical installation
- Measuring range (q s/q i =100:1)
- Temperature sensor: PT 1000
- Environment standard Class: A
- Temperature range is 4~95°C, min.temperature difference: 3°C
- Water pressure: ≤1.6Mpa



Main Technical Data:

Model	Qn (m³/h)	Length (mm)	DN (mm)	Sensor length	Display	Communication interface	Class
ULTA-15-0.6	0.6	110	15	1.5m	Kwh, Gcal, GJ	1.M-BUS 2.RS-485 3.Pulse output 4.LoRa/ LoRaWAN 5.Water Meter Impulse output, connects Heat Meter, M-BUS/RS-485 output.	2
ULTA-15-1.5	1.5	110	15				
ULTA-20	2.5	130	20				
ULTA-25	3.5	160	25				
ULTA-32	6	180	32				
ULTA-40	10	200	40				

Normal DN	mm	15	15	20	25	32	40
Qn	m³/h	0.6	1.5	2.5	3.5	6	10
Qmax	m³/h	1.2	3	5	7	12	20
Qmin	m³/h	0.012	0.03	0.05	0.07	0.12	0.2
Body thread	----	G¾"B	G¾"B	G1"B	G1¼"B	G1½"B	G2"B
Connection thread	----	½"	½"	¾"	1"	1¼"	1½"
Height	mm	85	85	95	105	105	115
Length	mm	110	110	130	160	180	200
Pressure loss		≤0.02MPa					

Model: ULTC-15-20

Ultrasonic Heat Meter

Feature:

- Size: DN15 to DN20mm, (1/2" – 3/4")
- Communication interface choice:
(1) M-BUS (2) RS-485 (Modbus) (3) Pulse output
- Lithium battery life: 10 years
- Archive: 38 Month data historical
- Installation choice: Water supply pipeline / Water return pipeline, Horizontal or Vertical installation
- Measuring range (q s/q i =100:1)
- Temperature sensor: PT 1000
- Environment standard Class: A
- Temperature range is 4~95°C, min.temperature difference: 3°C
- Water pressure: ≤1.6Mpa



Main Technical Data:

Model	Qn (m ³ /h)	Length (mm)	DN (mm)	Sensor length	Display	Communication interface	Class
ULTC-15-0.6	0.6	110	15	1.5m	Kwh, Gcal, GJ	1.M-BUS 2.RS-485 3.Pulse output	2
ULTC-15-1.5	1.5	110	15				
ULTC-20	2.5	130	20				

Normal DN	mm	15	15	20
Qn	m ³ /h	0.6	1.5	2.5
Qmax	m ³ /h	1.2	3	5
Qmin	m ³ /h	0.012	0.03	0.05
Body thread	----	G ³ / ₄ "B	G ³ / ₄ "B	G1"B
Connection thread	----	1/2"	1/2"	3/4"
Height	mm	80	80	90
Length	mm	110	110	130
Pressure loss			≤0.02MPa	

Model: ULTE-15-20

Ultrasonic Heat Meter

Feature:

- Size: DN15 to DN20mm, (1/2" – 3/4")
- Communication interface choice:
 - (1) M-BUS
 - (2) RS-485 (Modbus)
 - (3) Pulse output
 - (4) LoRa/LoRaWAN 868MHz, 915MHz, Customized Frequency Requirement
 - (5) Water Meter Impulse output, connects Heat Meter, M-BUS/RS-485 output
- Lithium battery life: 10 years
- Archive: 38 Month data historical
- Installation choice: Water supply pipeline / Water return pipeline, Horizontal or Vertical installation
- Measuring range (q s/q i =100:1)
- Temperature sensor: PT 1000
- Environment standard Class: A
- Temperature range is 4~95°C, min.temperature difference: 3°C
- Water pressure: ≤1.6Mpa



Main Technical Data:

Model	Qn (m³/h)	Length (mm)	DN (mm)	Sensor length	Display	Communication interface	Class
ULTE-15-0.6	0.6	110	15	1.5m	Kwh, Gcal, GJ	1.M-BUS 2.RS-485 3.Pulse output 4.LoRa/ LoRaWAN 5.Water Meter Impulse output, connects Heat Meter, M-BUS/RS-485 output.	2
ULTE-15-1.5	1.5	110	15				
ULTE-20	2.5	130	20				

Normal DN	mm	15	15	20
Qn	m³/h	0.6	1.5	2.5
Qmax	m³/h	1.2	3	5
Qmin	m³/h	0.012	0.03	0.05
Body thread	----	G¾" B	G¾" B	G1" B
Connection thread	----	½"	½"	¾"
Height	mm	85	85	95
Length	mm	110	110	130
Pressure loss		≤0.02MPa		

Model: ULTA-50~200

Ultrasonic Heat Meter



Main Technical Data:

Diameter (mm)	Qn (m³/h)	Qmin (m³/h)	Qmax (m³/h)	Length (mm)
DN50	15	0.6	30	200
DN65	25	1	50	200
DN80	40	1.6	80	225
DN100	60	2.4	120	250
DN125	100	4	200	250
DN150	150	6	300	300
DN200	250	10	500	350
Range ratio	R25			
Measurement Accuracy	EN1434、CJ128-2007 Class2			
Connection	Flange			
Pressure Loss	≅ 20KPa			
Pressure Level	≅ 1.6MPa			
Temperature sensor	3 m standard two lines PT1000 Temperature Sensor (cable length could be changed)			
Data Storage	Continuous store of 38 months record			
Power-off Protection	After power-off, meter could save all the record of before flow rate and the corresponding time, after power back, it recovery measure function automatically, and ensure the time continuation			
Communication mode	Wired: Mbus, Modbus, RS485, Pulse Output		Wireless: LoRaWAN	
Power Supply	ER18505 Lithium battery (waterproof)			
Protection Class	IP68			
Environmental Class	Class B			
Temperature Range	(4~95) °C			
Temperature Difference	(3~70)K			
Installation Way	Inflow or Return flow installation (Default is Inflow installation, for return flow need to indicate when ordering)			
Permanence	Service cycle ≅ 6 years			
Display	LCD display			
Anti-magnetic Disturbance	When the intensity of magnetic field interference is not more than 100 ka/m, should not affect water meter measurement and remote transmission characteristics			